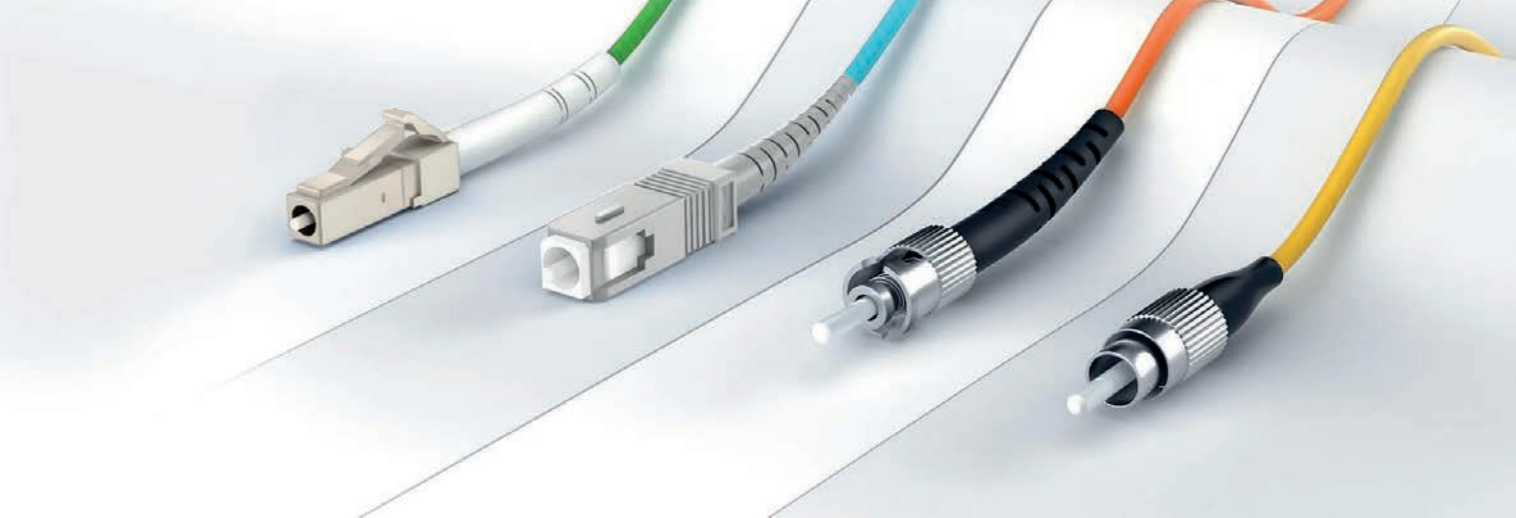


Fiber Patch Cables Datasheet

MAKE HIGH-SPEED ETHERNET NETWORK EQUIPMENT CONNECTIONS

Designed for data center, enterprise, FTTx, LAN and WAN, CATV network, telecom network applications, etc. requiring quick infrastructure deployment such as main, horizontal, and zone distribution areas.



Standard Fiber Patch Cables

Fiber optic patch cables are ideal for supporting high speed telecommunication network fiber applications. They are manufactured and tested in compliance with TIA 604 (FOCIS), IEC 61754 and YD/T industry standards. OM1, OM2, OM3, OM4, OM5 or OS2 fiber types are available to meet the demand of Gigabit Ethernet, 10 Gigabit Ethernet and high speed Fiber Channel. Every termination is through rigorous parameter test to ensure the highest network performance.

Standards Compliance

- RoHS, ISO 9001 Compliant • TIA 604 (FOCIS)
- TIA/EIA 492AAAE
- IEC 61754
- IEC 60793-2-10
- IEC 61300-3-35
- YD/T1272.1-2003

Features

- » High quality zirconia ferrules.
- » Good repeatability and interchangeability.
- » LC, SC, ST, FC, LSH, MTRJ, MU connectors are available.
- » Flame-retardant, rugged and durable-jacket.
- » Printing helps clarify and recognize different cables.
- » OS2, OM4, OM3, OM2, OM1, OM5 are available.
- » Factory terminated and tested for insertion loss, return loss and end face.

STANDART FIBER OPTIC PATCH CORDS - TECHNICAL SPECIFICATION

Physical Characteristics	Description	
Connector Types	C/SC/ST/FC/LSH/MTRJ/MU with Standard Boots	
Polish Type	SMF: UPC-UPC; UPC-APC; APC-APC; MMF: UPC-UPC	
Connector Ferrule	Zirconia Ceramic	
Cable Outside Diameter	Duplex: 1.6/2.0/3.0mm, Simplex: 0.9/2.0/3.0mm	
Interchangeability	≤0.2dB - Max. ≤0.3dB	
Vibration	≤0.2dB - Max. ≤0.3dB	
Durability	500 matings	
Mechanical Characteristics	Description	
Fiber Type	Standard Boots: OS2/OM5/OM4/OM3/OM2/OM1	
Fiber Count	Duplex /Simplex	
Cable Jacket	PVC (Riser/OFNR)/LSZH/Plenum (OFNP)	
Jacket Color	OM1/OM2: Orange; OM3/OM4: Aqua; OM5: Lime Green; OS2: Yellow	
Fiber Grade	SMF: G.657.A1/G.657.A2; OM5/OM4/OM3/OM2: Bend Insensitive; OM1: G.651	
SMF: OD 0.9/1.8/ 2.0/3.0mm	G.657.A1: 10mm G.657.A2: 7.5mm	
MMF: OD 0.9/1.8/ 2.0/3.0mm	OM1: 15mm Others: 7.5mm	
Optical Characteristics	Description	
Connector Insertion Loss	LC/SC/ST/FC/LSH/MU/MTRJ≤0.3dB	
Connector Return Loss	SMF: UPC≥50, APC≥60 (LC/SC/ST/FC/MU/MTRJ), UPC≥55, APC≥75 (LSH) MMF: UPC≥30 (LC/SC/ST/FC/LSH/MU), UPC≥35 (MTRJ)	
Attenuation at 1310nm	G.657.A1: 0.36dB/km G.657.A2: 0.4dB/km	
Attenuation at 1550nm	G.657.A1: 0.22dB/km G.657.A2: 0.25dB/km	
Attenuation at 850nm	3.0dB/km	
Attenuation at 1300nm	1.0dB/km	
Characteristics	Description	
Operating Temperature	-20~70°C	
Storage Temperature	-40~80°C	
Tensile Strength (Long Term/ Short Term)	Duplex	Simplex
3.0mm OD	320N	280 N
2.0mm OD	300N	220 N
1.8 mm OD	90/150N	-

ULTRA LOW LOSS FIBER OPTIC PATCH CORDS - TECHNICAL SPECIFICATION

Physical Characteristics	Description
Connector Types	LC/SC/ST/FC/LSH/MTRJ/MU with Standard Boots
Polish Type	SMF: UPC-UPC; UPC-APC; APC-APC; MMF: UPC-UPC
Connector Ferrule	Zirconia Ceramic
Cable Outside Diameter	Duplex: 1.6/2.0/3.0mm, Simplex: 0.9/2.0/3.0mm
Interchangeability	≤0.12dB Max. ≤0.2dB
Vibration	≤0.12dB Max. ≤0.2dB
Durability	500 matings

Mechanical Characteristics	Description
Fiber Type	Standard Boots: OS2/OM5/OM4/OM3/OM2/OM1
Fiber Count	Duplex /Simplex
Cable Jacket	PVC (Riser/OFNR)/LSZH/Plenum (OFNP)
Jacket Color	OM1/OM2: Orange; OM3/OM4: Aqua; OM5: Lime Green; OS2: Yellow
Fiber Grade	CORNING SMF: G.657.A1/G.657.A2; OM5/OM4/OM3/OM2: Bend Insensitive; OM1: G.651
SMF: OD 0.9/1.8/ 2.0/3.0mm	G.657.A1: 10mm G.657.A2: 7.5mm
MMF: OD 0.9/1.8/ 2.0/3.0mm	OM1: 15mm Others: 7.5mm

Optical Characteristics	Description
Connector Insertion Loss	LC/SC/ST/FC/LSH/MU/MTRJ≤0.3dB
Connector Return Loss	SMF: UPC≥50, APC≥60 (LC/SC/ST/FC/MU/MTRJ), UPC≥55, APC≥75 (LSH) MMF: UPC≥30 (LC/SC/ST/FC/LSH/MU), UPC≥35 (MTRJ)
Attenuation at 1310nm	G.657.A1: 0.36dB/km G.657.A2: 0.4dB/km
Attenuation at 1550nm	G.657.A1: 0.22dB/km G.657.A2: 0.25dB/km
Attenuation at 850nm	3.0dB/km
Attenuation at 1300nm	1.0dB/km

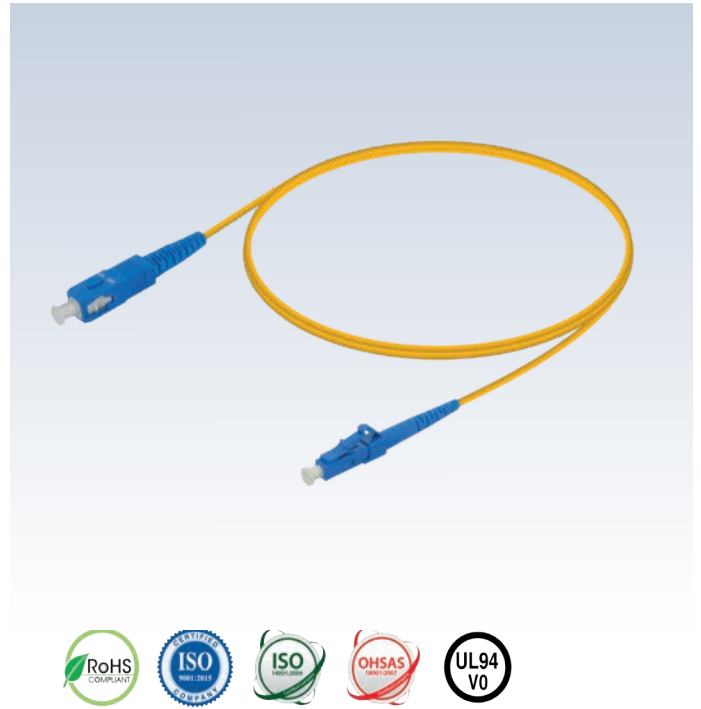
Characteristics	Description
Operating Temperature	-20~70°C
Storage Temperature	-40~80°C

Tensile Strength (Long Term/ Short Term)	Duplex	Simplex
3.0mm OD	320N	280 N
2.0mm OD	300N	220 N
1.8 mm OD	90/150N	90 N

Simplex Single Mode Patch Cord

Connector Specifications

LC Connector Compliance	IEC 61754-20, TIA 604-10-A, RoHS
SC Connector Compliance	IEC 61754-4, TIA 604-3, RoHS
FC Connector Compliance	IEC 61754-13, TIA 604-4-A, RoHS
ST Connector Compliance	IEC 61754-2, TIA 604-2, RoHS
LSH Connector Compliance	IEC 61754 - 15, TIA 604 - 16, RoHS
Alignment Technology	Full ceramic ferrule (Zirconia ZrO2)
Operating Temperature	-20°C to +70°C
Flammability	< 0.1dB typical change for >
Durability	500 matings



Optical Performance

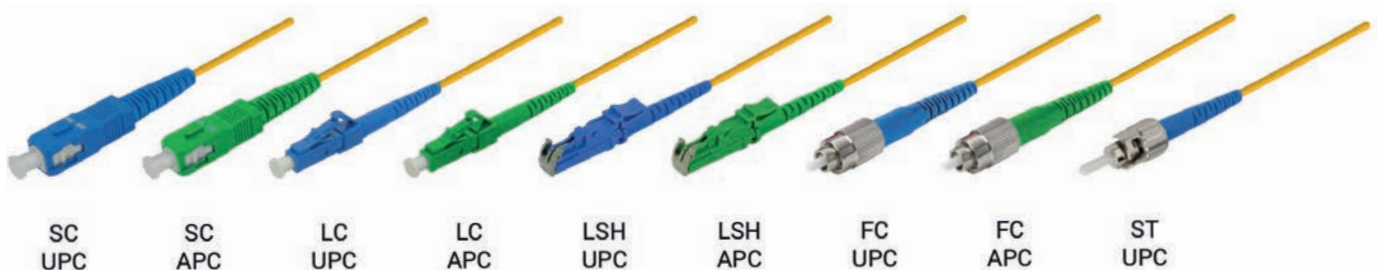
Insertion Loss IEC 61300-3-4 Method B	Single Mode Max. ≤ 0.3dB
Return Loss IEC61300-3-6 Method B	IEC 61754-4, TIA 604-3, RoHS

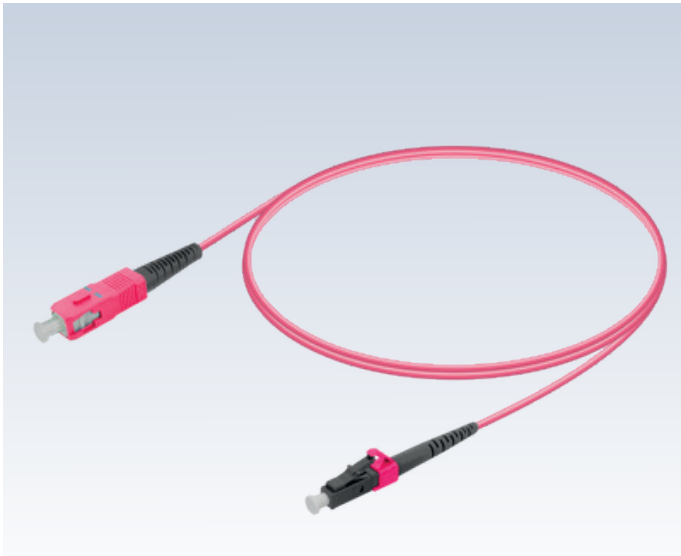
Endface Control Parameters

Geometry Inspection	UPC : IEC 61755-3-1 APC : IEC 61755-3-2
Visual Inspection	IEC 61300-3-35

Cable Specifications

- 1 core simplex fiber optic cable
- 1.8 mm - 2.0 mm - 3.0 mm diameter options
- Length tolerance is ± 50 mm
- Max. Tensile Strength:
For 1.8 mm is 90 N
For 2.0 mm is 220 N
For 3.0 mm is 280 N
- Min. Bending Radius 7.5 mm
- Cable Color is Yellow





Connector Specifications	
LC Connector Compliance	IEC 61754-20, TIA 604-10-A, RoHS
SC Connector Compliance	IEC 61754-4, TIA 604-3, RoHS
FC Connector Compliance	IEC 61754-13, TIA 604-4-A, RoHS
ST Connector Compliance	IEC 61754-2, TIA 604-2, RoHS
LSH Connector Compliance	IEC 61754 - 15, TIA 604 - 16, RoHS
Alignment Technology	Full ceramic ferrule (Zirconia ZrO2)
Operating Temperature	-20°C to +70°C
Flammability	< 0.1dB typical change for >
Durability	500 matings

Cable Specifications

- 1 core simplex fiber optic cable
- 1.8 mm - 2.0 mm - 3.0 mm diameter options
- Length tolerance is ± 50 mm
- Max. Tensile Strength:
 - For 1.8 mm is 90 N
 - For 2.0 mm is 220 N
 - For 3.0 mm is 280 N
- Min. Bending Radius 7.5 mm
- Cable Color:
 - Beige for OM1 and OM2
 - Aqua for OM3
 - Violet for OM4

Optical Performance	
Insertion Loss IEC 61300-3-4 Method B	Multi Mode ≤ 0.30 dB
Return Loss IEC61300-3-6 Method B	Multi Mode ≥ 35 dB

Endface Control Parameters	
Geometry Inspection	IEC 61755-3-1
Visual Inspection	IEC 61300-3-35



Duplex Single Mode Patch Cord

Connector Specifications

LC Connector Compliance	IEC 61754-20, TIA 604-10-A, RoHS
SC Connector Compliance	IEC 61754-4, TIA 604-3, RoHS
FC Connector Compliance	IEC 61754-13, TIA 604-4-A, RoHS
ST Connector Compliance	IEC 61754-2, TIA 604-2, RoHS
LSH Connector Compliance	IEC 61754 - 15, TIA 604 - 16, RoHS
Alignment Technology	Full ceramic ferrule (Zirconia ZrO2)
Operating Temperature	-20°C to +70°C
Flammability	< 0.1dB typical change for >
Durability	500 matings



Optical Performance

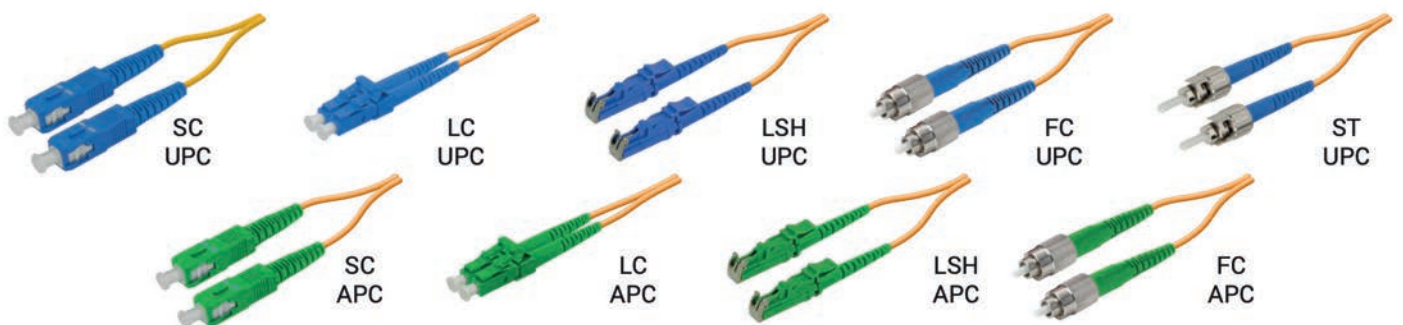
Insertion Loss IEC 61300-3-4 Method B	Single Mode Max. $\leq 0.3\text{dB}$
Return Loss IEC61300-3-6 Method B	Single Mode UPC: $\geq 50\text{dB}$ Single Mode APC: $\geq 60\text{dB}$

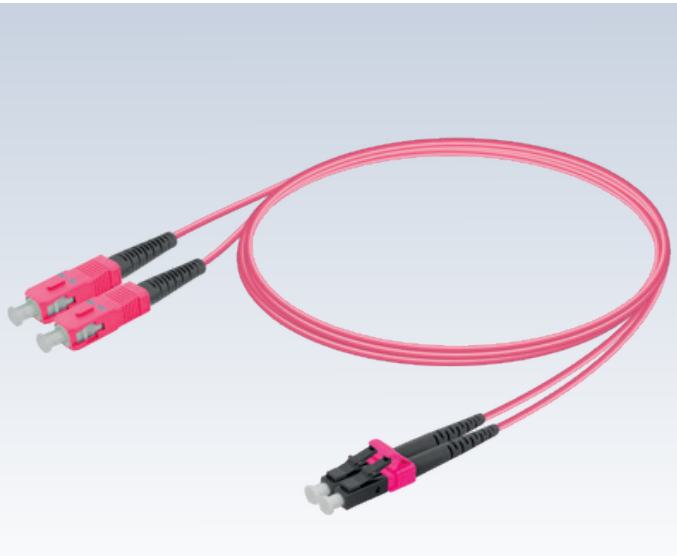
Endface Control Parameters

Geometry Inspection	UPC : IEC 61755-3-1 APC : IEC 61755-3-2
Visual Inspection	IEC 61300-3-35

Cable Specifications

- 2 cores duplex fiber optic cable
- 1.8x3.7 mm - 2.0x4.1 mm diameter options
- Length tolerance is ± 50 mm
- Max. Tensile
 - For 1.8 mm is 90 N
 - For 2.0 mm is 300 N
 - For 3.0 mm is 320 N
- Min. Bending Radius is 7.5 mm
- Cable Color is Yellow





Connector Specifications

LC Connector Compliance	IEC 61754-20, TIA 604-10-A, RoHS
SC Connector Compliance	IEC 61754-4, TIA 604-3, RoHS
FC Connector Compliance	IEC 61754-13, TIA 604-4-A, RoHS
ST Connector Compliance	IEC 61754-2, TIA 604-2, RoHS
LSH Connector Compliance	IEC 61754 - 15, TIA 604 - 16, RoHS
Alignment Technology	Full ceramic ferrule (Zirconia ZrO2)
Operating Temperature	-20°C to +70°C
Flammability	< 0.1dB typical change for >
Durability	500 matings

Cable Specifications

- 2 cores duplex fiber optic cable
- 1.8x3.7 mm - 2.0x4.1 mm diameter options
- Length tolerance is ± 50 mm
- Max. Tensile
 - For 1.8 mm is 90 N
 - For 2.0 mm is 300 N
 - For 3.0 mm is 320 N
- Min. Bending Radius is 7.5 mm
- Cable Color:
 - Beige for OM1 and OM2
 - Aqua for OM3
 - Violet for OM4

Optical Performance

Insertion Loss IEC 61300-3-4 Method B	Multi Mode ≤ 0.30 dB
Return Loss IEC61300-3-6 Method B	Multi Mode ≥ 35 dB

Endface Control Parameters

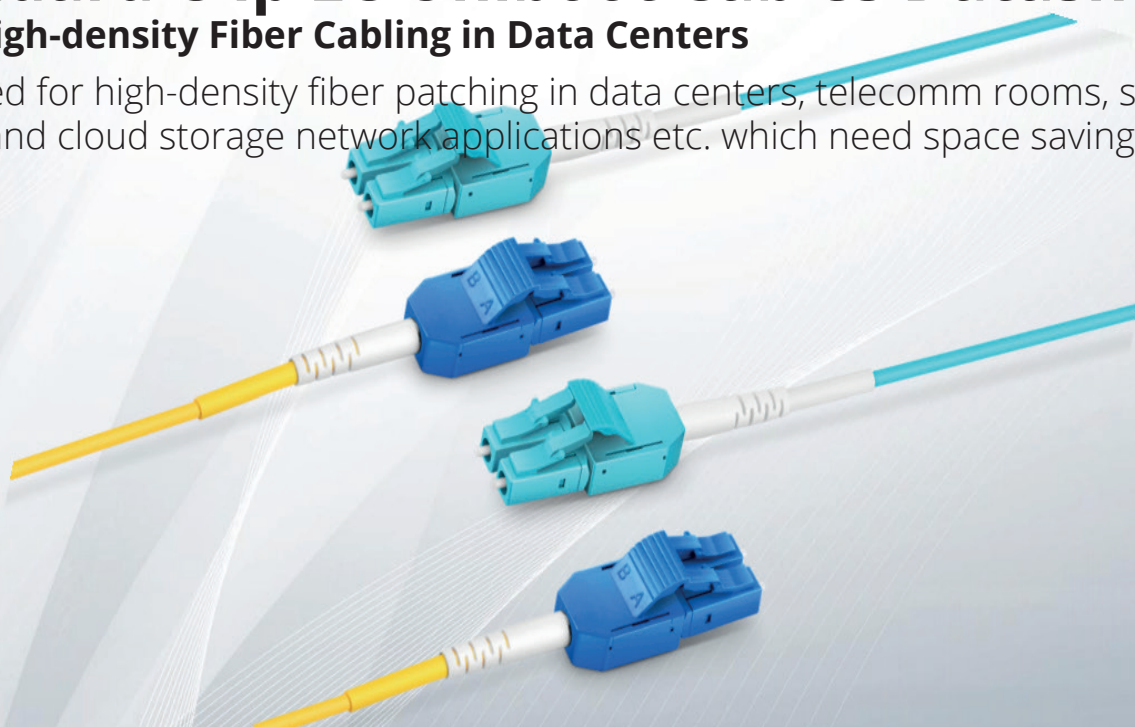
Geometry Inspection	IEC 61755-3-1
Visual Inspection	IEC 61300-3-35



Standard Clip LC Uniboot Cables Datasheet

Ultra High-density Fiber Cabling in Data Centers

Designed for high-density fiber patching in data centers, telecomm rooms, server farms, and cloud storage network applications etc. which need space saving.



Standard Fiber Patch Cables

Integrated uniboot assembly meets the ultra highdensity space requirements. The uni-boot design allows one cable to carry two fibers, reducing the jumper bulk when routing, while Corning bend insensitive fiber features ultrabendable performance and can greatly reduce outages and degradations in systems caused by severe bending problems

Standards Compliance

- ISO 9001, ISO 14001 Compliant
- ROHS, CE, REACH and WEEE
- TIA 604(FOCIS)
- TIA/EIA 492AAAD
- IEC 61754, IEC61300-3-35
- IEC 60794-2-10/IEC 60793-2-10
- YD/T125.25

Features

- » Corning bend insensitive fiber feature-ultra-bendable performance.
- » 2.0mm slim uniboot reduces cablecongestion.
- » High quality zirconia ceramic ferrules
- » Flame-retardant, rugged and durable-jacket.
- » Factory terminated and tested for insertion loss, return loss and end face.
- » OS2, OM4, OM3, OM2, OM1, OM5 are available.

STANDARD CLIP LC UNIBOOT CABLES DATASHEET

Physical Characteristics	Description
Connector Types	LC to LC
Polish Type	SMF: UPC-UPC; UPC-APC; APC-APC MMF: UPC-UPC
Connector Ferrule	Zirconia Ceramic
Cable Outside Diameter	2.0mm
Interchangeability	≤0.2dB
Vibration	≤0.2dB
Minimum Bend Radius	SMF: 10mm; MMF: 7.5mm

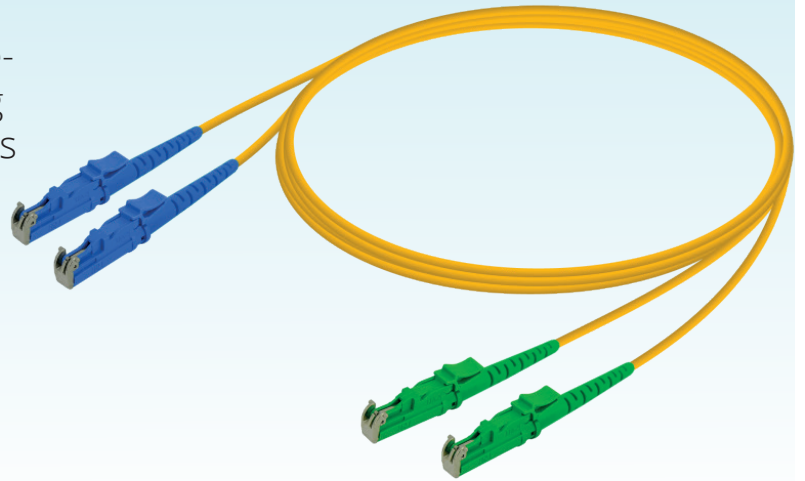
Mechanical Characteristics	Description
Fiber Type	OS2/OM3/OM4
Fiber Count	Duplex
Cable Jacket	PVC (Riser/OFNR)/LSZH/Plenum (OFNP)
Jacket Color	OM1/OM2: Orange; OM3/OM4: Aqua; OM5: Lime Green; OS2: Yellow
Fiber Grade	SMF: G.657.A1/G.657.A2; OM5/OM4/OM3/OM2: Bend Insensitive; OM1: G.651

Optical Characteristics	Description
Connector Insertion Loss	SMF: UPC≤0.2dB, APC≤0.3dB; MMF: ≤0.2dB
Connector Return Loss	SMF: UPC≥50dB, APC≥65dB; MMF: ≥30dB
Attenuation at 1310nm	G.657.A1: 0.36dB/km G.657.A2: 0.4dB/km
Attenuation at 1550nm	G.657.A1: 0.22dB/km G.657.A2: 0.25dB/km
Attenuation at 850nm	3.0dB/km
Attenuation at 1300nm	1.0dB/km

Characteristics	Description
Operating Temperature	OFNR/LSZH: -10 to 70°C; OFNP: 0 to 60°C
Storage Temperature	OFNR/LSZH: -20 to 70°C; OFNP: -10 to 60°C

E2000 FIBER OPTIC PATCH CORDS

Designed for data center, enterprise, FTTx, LAN and WAN, CATV network, telecom network applications etc. requiring quick infrastructure deployment such as main, horizontal, and zone distribution areas.



Standard Fiber Patch

The E2000* connectors used are featured with spring-loaded shutters that open when engaged and close when disengaged protecting ferrules from dust and scratches. The connector's push-pull latching mechanism clicks when fully inserted. In addition to basic testing, some mechanical and environmental tests per IEC or Telcordia are also performed periodically to guarantee the best quality. For standard patch cords, sampling check is performed on ferrule geometry to ensure high percentage of polished connectors meeting GR-326 requirements. For premium grade, ferrule geometry is tested on all patch cords to meet these requirements. Other than standard single mode and multimode fibers, G655, OM2, and OM3 fibers are also available upon request. Flame retardant grade cable sheathing options are offered. Riser rated cable will be provided as standard. LSZH and Plenum can be provided upon request.

Features

- » Push-pull latching mechanism
- » Protected by spring-loaded shutters
- » Low insertion loss and high return loss
- » Materials meet RoHS requirements
- » Riser, Plenum, or LSZH cables

Applications

- » Telecommunication
- » Computer networks
- » CATV networks
- » Active device termination
- » Instrumentation

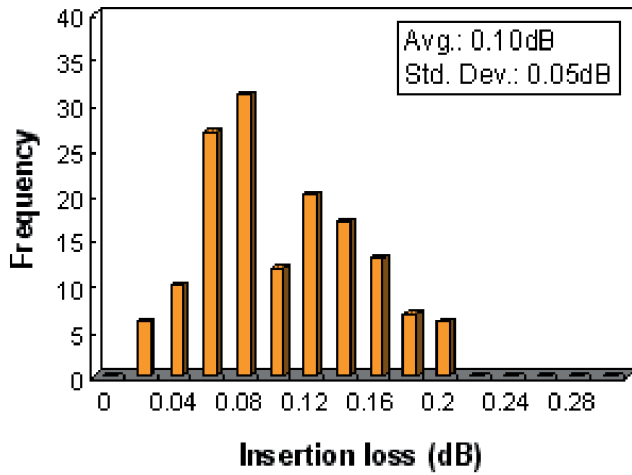
E2000 PATCH CORDS

Specifications

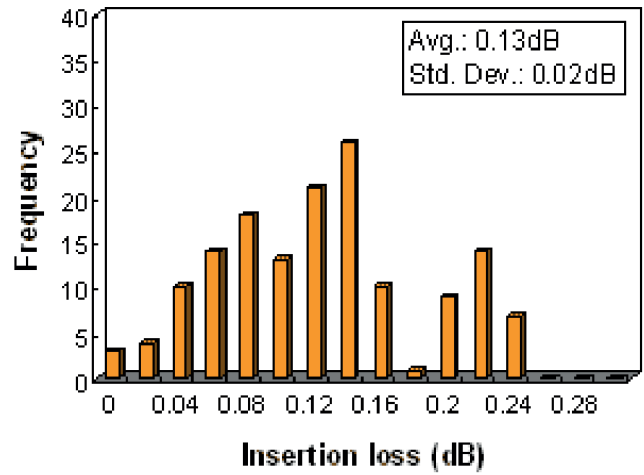
Characteristics	Unit	Value/Performance			Comments		
		SM		MM			
		PC	APC				
Basic							
Insertion Loss (IL)	dB	≤0.3			IEC 61300-3-4		
Return Loss (RL)	dB	SPC>45 UPC>50	≥60	≥23	IEC 61300-3-6		
Endurance	dB	ΔIL≤0.2			IEC 61300-2-2, coupling and uncoupling 500 cycles, clean every 25 cycles		
Operating Temperature	°C	-20 ~ +70					
Storage Temperature	°C	-40 ~ +70					
Ferrule end-face geometry							
Radius of Curvature (R)	mm	7-25	5-12	NA	Telcordia GR326(4.4.5)		
Apex Offset	um	≤50		NA	Telcordia GR325(4.4.5)		
Fiber Protrusion	nm	≤50	≤100	NA	Telcordia GR326(4.4.5)		
Fiber Under Cut	nm	<125@ R=7-10	≤100	NA	Telcordia GR326(4.4.5). For PC, Under Cut ≤-0.02R ³ +1.3R ² -31R+325 when R=10-25mm		
Mechanical							
Drop	dB	ΔIL≤0.2			IEC 61300-2-12, 1.5m, 5 drops, no damage		
Vibration	dB	ΔIL≤0.2			IEC 61300-2-1, 10-55Hz, 0.75mm amplitude, 0.5 hrs/axis		
Flex	dB	ΔIL≤0.2			Telcordia GR326(4.4.3.2), 0.9kg, ±90°, 100cycles, for 2mm or larger cable		
Twist	dB	ΔIL≤0.2			Telcordia GR326(4.4.3.3), 1.35kg load, ±2.5 turns, 10 cycles, for 2mm or larger cable		
Pull Proof	dB	ΔIL≤0.2			Telcordia GR326(4.4.3.4), 3.4kg at 90°, 6.8kg at 0°, for 2mm or larger cable		
Coupling strength	dB	ΔIL≤0.2			IEC 61300-2-6, 4.2kg, 2min		
Static Bending	dB	ΔIL≤0.2			IEC 794-1-2, 60mm diameter 10 turns		
Crushing	dB	ΔIL≤0.2			IEC 794-1-2, 102kg for 2mm or larger cable, 10.2kg for 900m cable		
Environmental							
Cold	dB	ΔIL≤0.2			IEC 61300-2-17, -20°C, 96 hrs		
Dry Heat	dB	ΔIL≤0.2			IEC 61300-2-18, 70°C, 96 hrs		
Damp Heat	dB	ΔIL≤0.2			IEC 61300-2-19, 40°C, 95%RH, 96 hrs		
Transmission							
Characteristics	Unit	G652 SM	G655 SM	Std. 50um	62.5um	OM2	OM3
Max. Attenuation	dB/km (nm)	0.4/0.3 (1310/1550)	0.3 (1550)	2.8 (850)	3.0 (850)	2.8 (850)	2.8 (850)
Min. Bandwidth	MHz•km (nm)	-	-	500/500 (850/1300)	200/200 (850/1300)	750 (850)	2000 (850)
Dispersion Coefficient	ps/ nm ² •km	≤3.0 (1310nm)	2.6-6.0 (1550nm)	-	-	-	-

Optical Performance Distribution

Insertion Loss, SM 9/125um PC



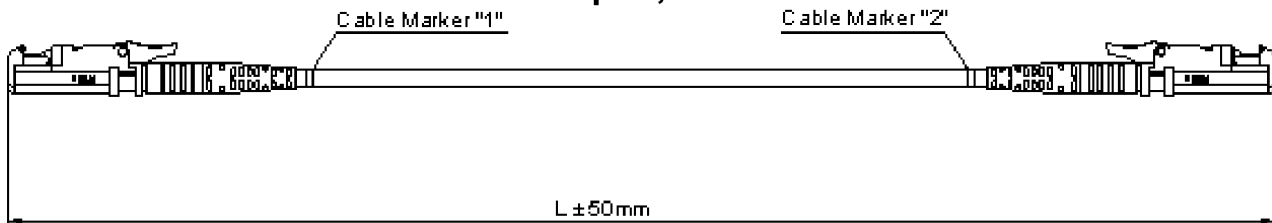
Insertion Loss, SM 9/125um APC



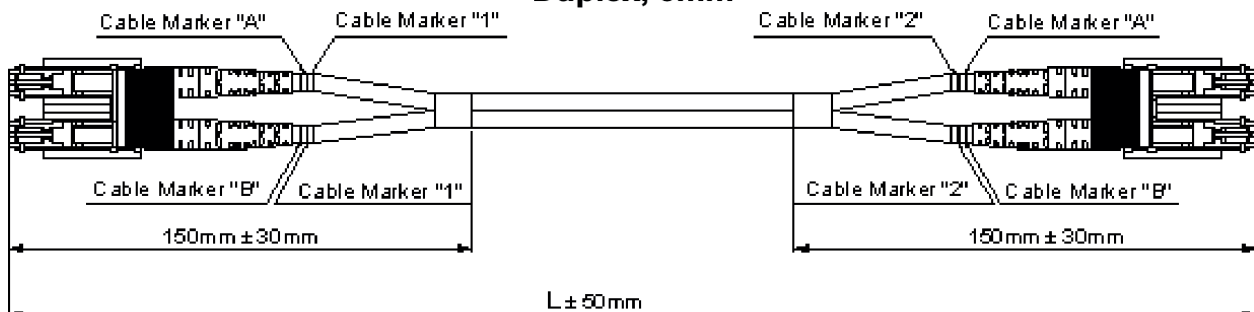
* Typical performance charts and actual data may vary from lot to lot.

Dimensional Drawing

Simplex, 3mm



Duplex, 3mm



Armored Patch Cables Datasheet

PERFECT SOLUTION FOR INSTALLS THAT REQUIRE EXTRA PROTECTION



Indoor Armored Fiber Patch Cables

The armored patch cables will allow you to protect your critical and essential fiber optic network with a crush-resistant and rodent-resistant jacket. The cable is a perfect solution for installing that require extra protection. The jacket contains steel armor and an aramid yarn strength member which allows the cable to remain extremely flexible while also being crush and rodent resistant

Standards Compliance

- ISO9001 Compliant
- RoHS Compliant

Features

- » Good repeatability and interchangeability.
- » OS2/OM4/OM3/OM2/OM1 are available
- » LC/SC/ST/FC/LSH/MTP connectors are available.
- » Perfect solution for installs that require extraprotection
- » Factory terminated and tested for insertion loss, return loss and end face

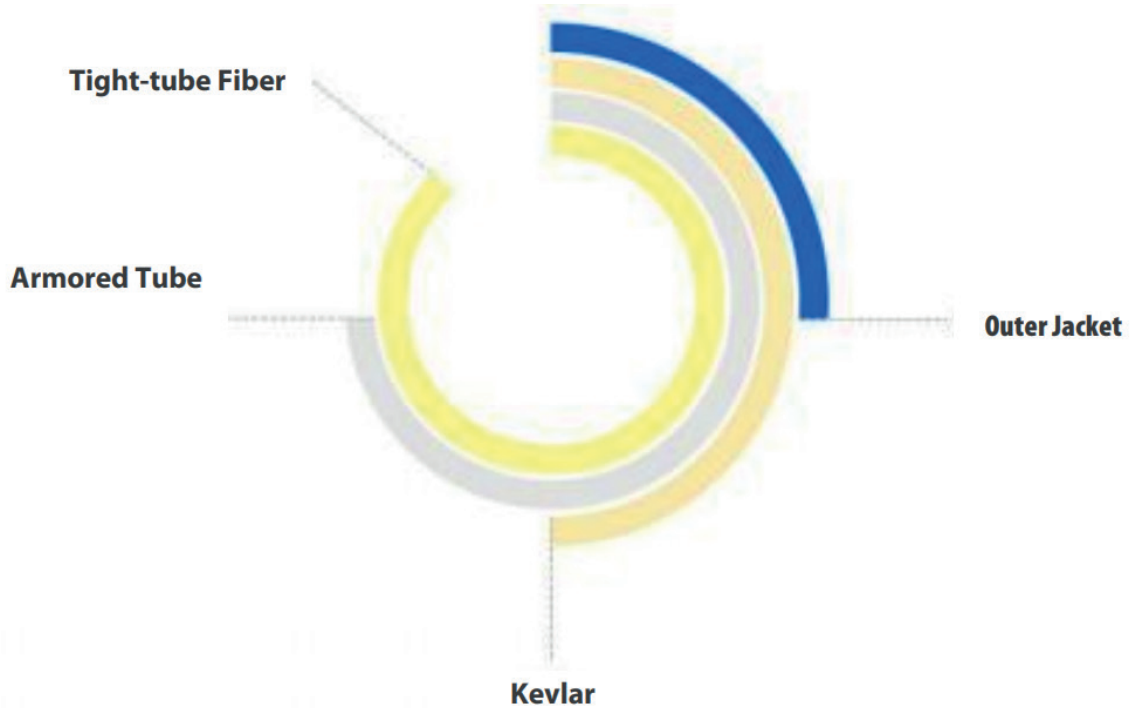
ARMORED PATCH CABLES DATASHEET

Physical Characteristics	Description
Fiber Count	Simplex / Duplex / 12 Fibers
Fiber Mode	OS2 / OM4 / OM3 / OM2 / OM1
Fiber Grade	OS2: G.657.A1 OM4/OM3/OM2: Bend Insensitive; OM1: G.651
Connector A	LC / SC / ST / FC / LSH / MTP
Connector B	LC / SC / ST / FC / LSH / MTP
Polish Type	SMF: UPC/APC MMF: UPC
Cable Jacket	PVC (Riser/OFNR) / LSZH / Plenum (OFNP)
Jacket Color	OS2: Blue / Yellow OM4/OM3: Aqua / Magenta OM2/OM1: Gray
Cable Diameter (mm)	3.0
Minimum Bend Radius (mm)	SMF: 10/5D (Dynamic/Static) MMF: 20/10D (Dynamic/Static)

Optical Characteristics	Description
Insertion Loss (dB)	≤0.3
Return Loss (dB)	SMF: UPC≥50, APC≥60 (LC/SC/ST/FC/ MTP) UPC≥55, APC≥75 (LSH) MMF: UPC≥30 (LC/SC/ST/FC/LSH/MTP)
Wavelength (nm)	SMF: 1310/1550 MMF: 850/1300
Tensile Loads (N)	120N (Long Term)/225N (Short Term); 200N (Long Term)/400N (Short Term) (MTP Armored)
Operating Temperature	-25~70°C; -20 to 60°C (MTP Armored)
Storage Temperature	-25~70°C; -20 to 85°C (MTP Armored)

Cable Structure

Armored fiber patch cables feature a specialized jacketing that increases the durability of fiber cables. In addition, the stainless steel tube allow optical fiber to be installed in the indoor harsh environments where a traditional fiber optic patch cable may fail, such as environments with excessive dust, or even damage-causing rodents etc.



Trampling Resistance



Moisture Resistance



Gas Resistance



Oil Resistance

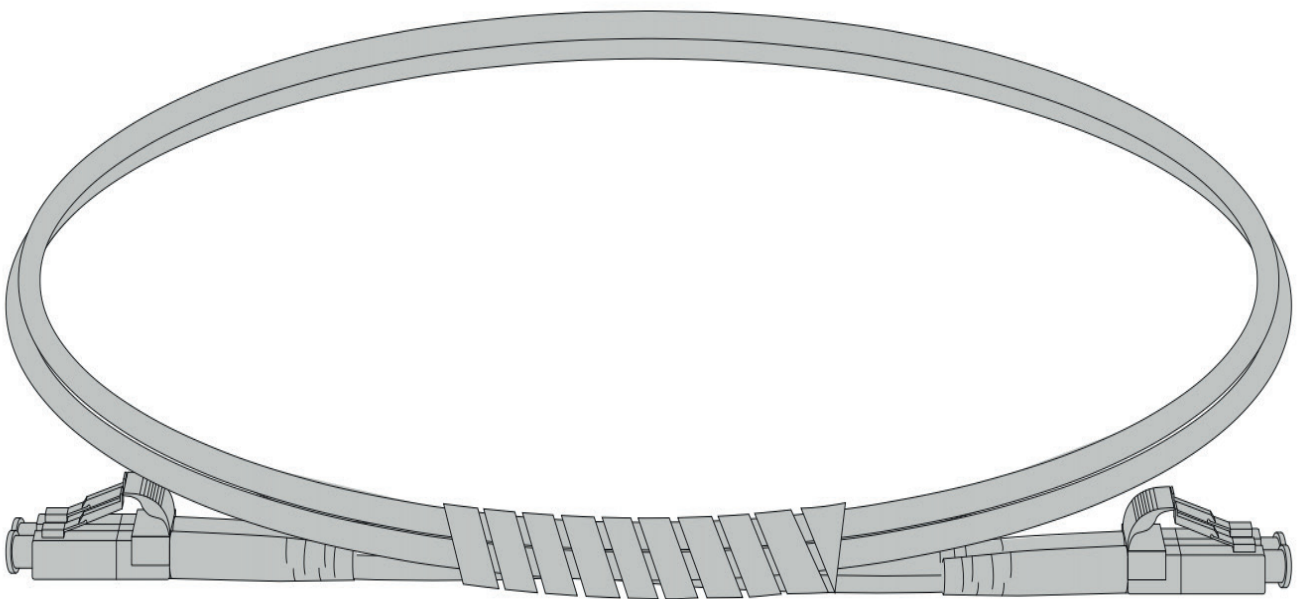


Rodents/Pests Resistance

FIBER OPTIC PATCH CORDS - TRANSMISSION DISTANCE COMPARISON

Data Rate	Interface Type	Fiber Mode	Wavelength	Maximum Distance
1G	1000BASE-LX	OM5	850nm	550m
		OM4	1300nm	550m
		OM3	1300nm	550m
		OM2	1300nm	550m
		OM1	1300nm	550m
		SMF	1310nm	10km
	1000BASE-SX	OM4	850nm	550m
		OM3	850nm	550m
		OM2	850nm	550m
		OM1	850nm	275m
10G	10GBASE-SR	OM4	850nm	400m
		OM3	850nm	300m
		OM2	850nm	82m
		OM1	850nm	33m
	10GBASE-LRM	OM5	850nm	220m
		OM3	1300nm	220m
		OM2	1300nm	220m
		OM1	1300nm	220m
	10GBASE-LR	SMF	1310nm	10km
	10GBASE-ER	SMF	1550nm	30km - 40km
10GBASE-ZR	SMF	1550nm	80km - 100km	
40G	40G-BIDI	OM5	850nm	200m
		OM4	850nm	150m
		OM3	850nm	100m
	40GBASE-SR4	OM5	850nm	150m
		OM4	850nm	150m
		OM3	850nm	100m
	40G-SWDM4	OM5	850nm	440m
		OM4	850nm	350m
		OM3	850nm	240m
	40GBASE-LR4	SMF	1310nm	10km
100G	100GBASE-SR4	OM5	850nm	100m
		OM4	850nm	100m
		OM3	850nm	70m
	100G-SWDM4	OM5	850nm	150m
		OM4	850nm	100m
		OM3	850nm	75m
	100GBASE-SR10	OM4	850nm	125m
		OM3	850nm	100m
	100GBASE-LR4	SMF	1310nm	10km
	100GBASE-ER4	SMF	1310nm	40km

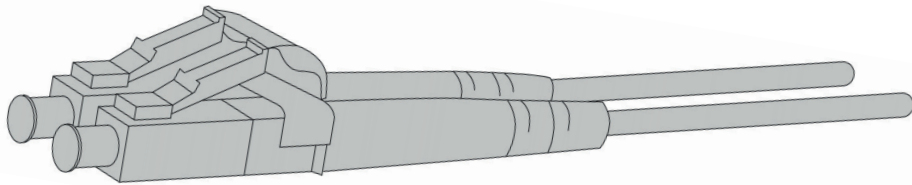
FIBER OPTIC PATCH CABLES



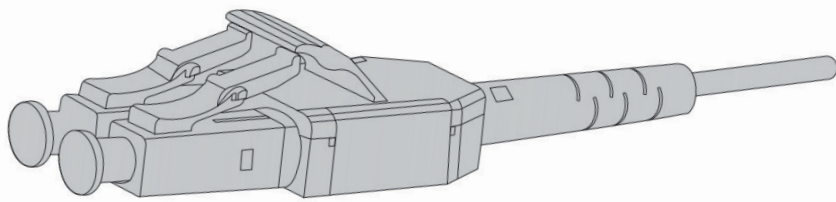
Quick Start Guide

V 2.2

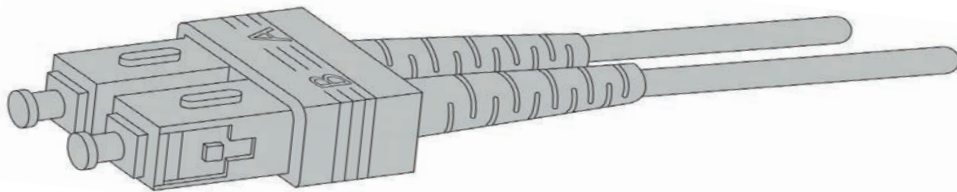
1 Product View



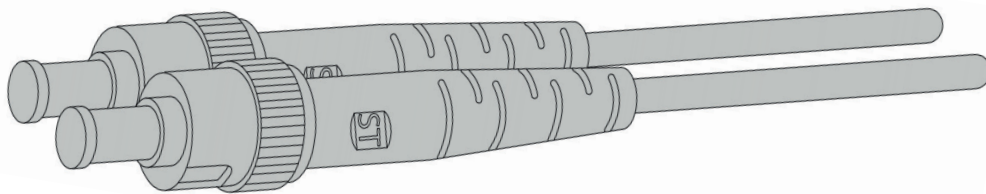
LC-Lucent Connector



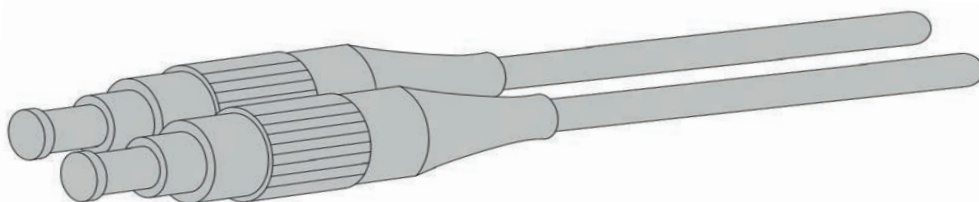
Standard Clip Lc Uniboot



SC-Subscriber Connector

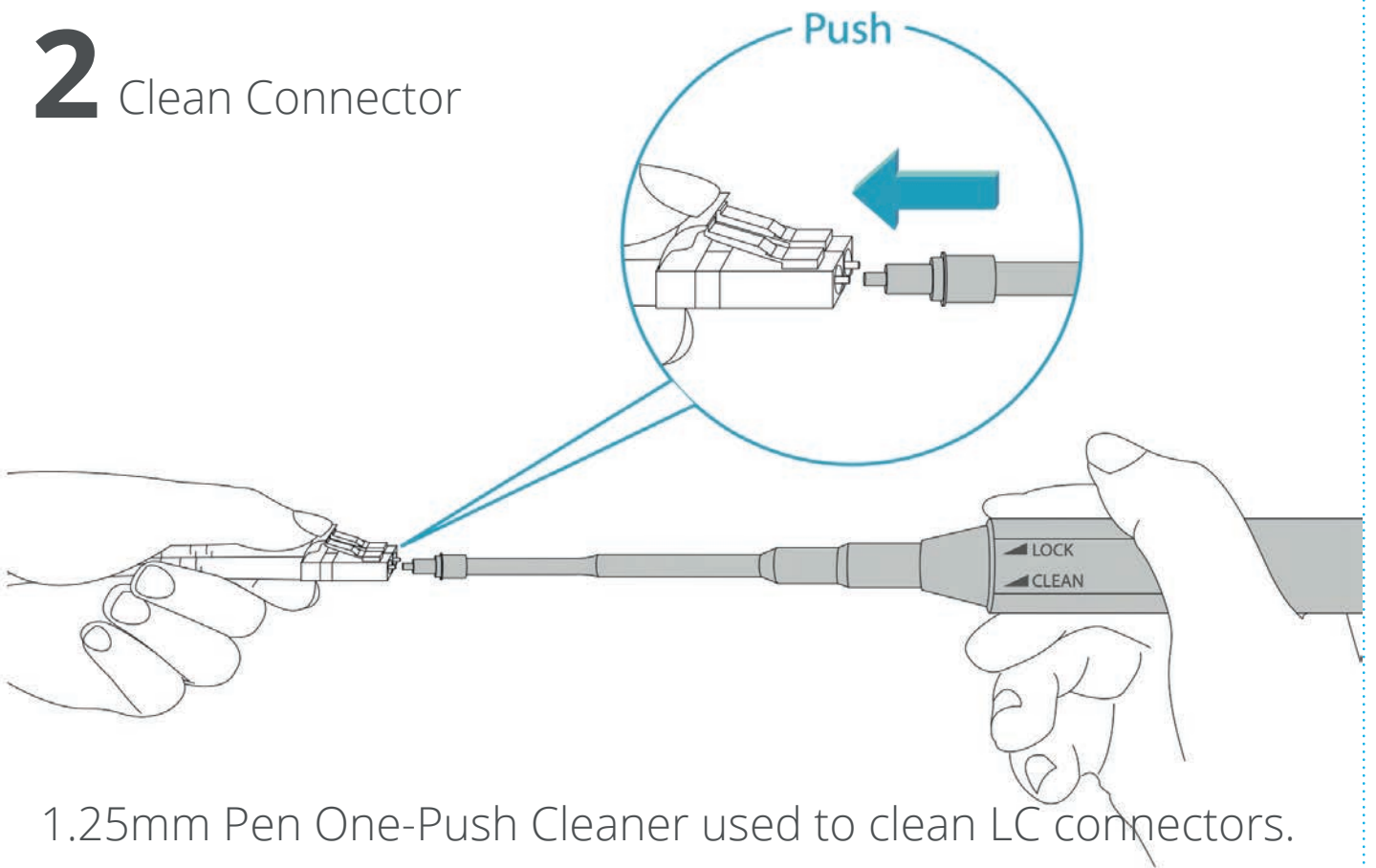


ST-Straight Tip

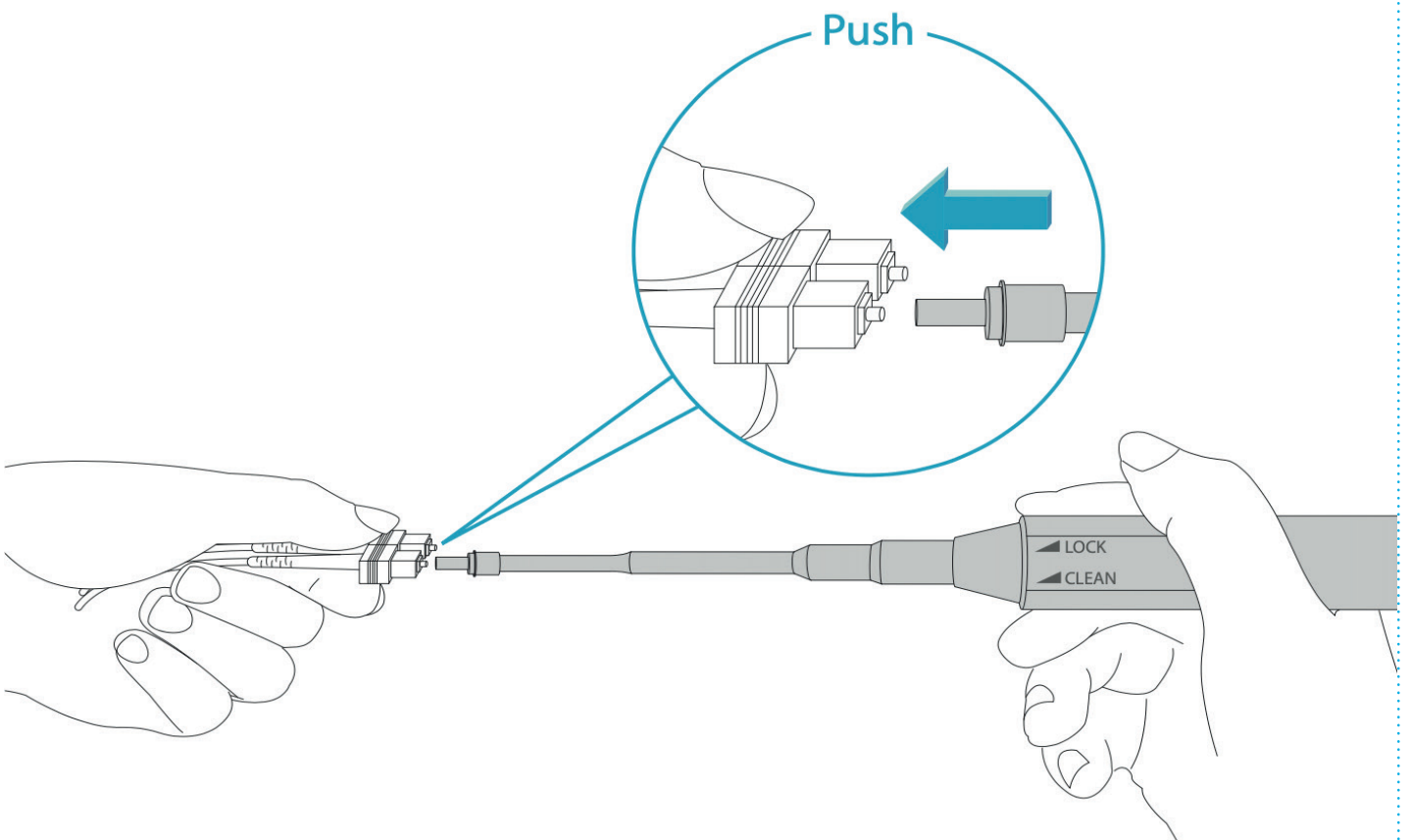


FC-Ferrule Connector

2 Clean Connector

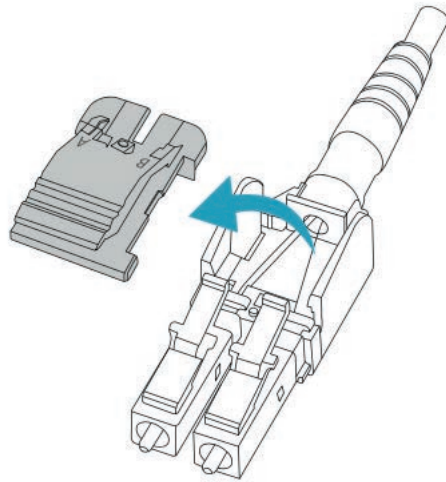


1.25mm Pen One-Push Cleaner used to clean LC connectors.

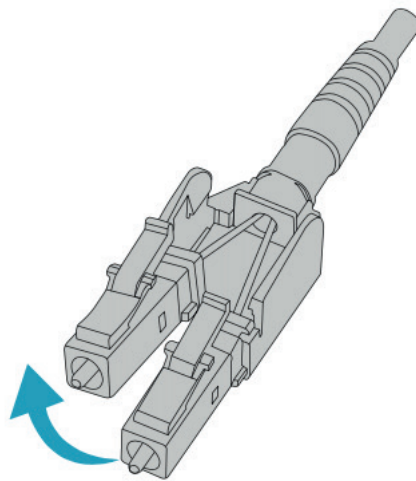


2.5mm Pen One-Push Cleaner used to clean SC/ST/FC connectors.

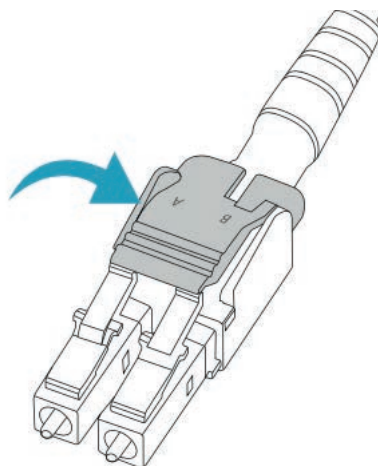
3 Polarity Reversal of LC Uniboot



Open connector top

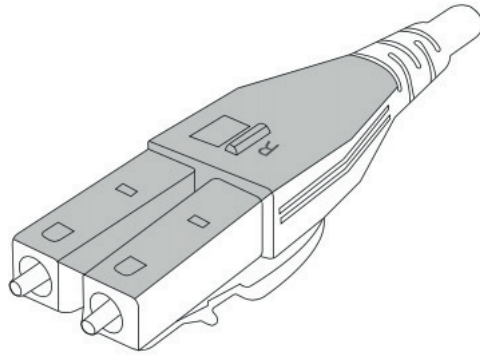


Switch the polraity A-B to A-A

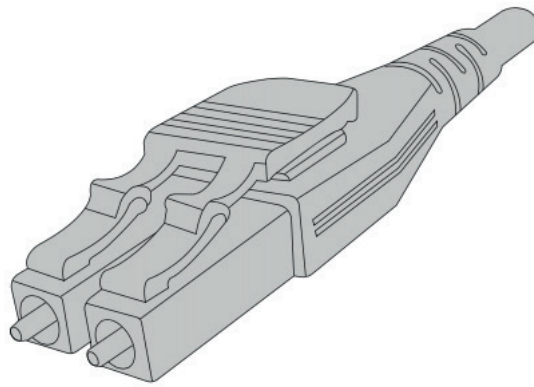


Close connector top

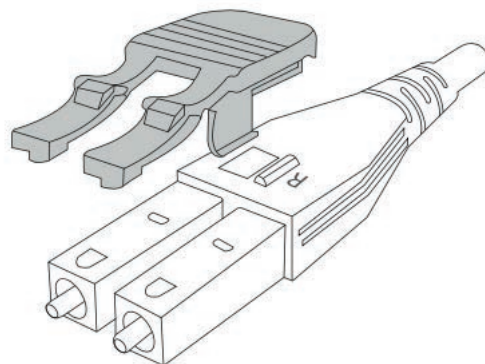
4 Polarity Reversal of Flat Clip LC Uniboot



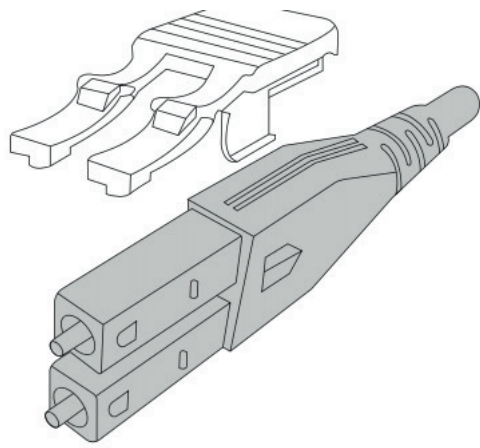
Open connector top



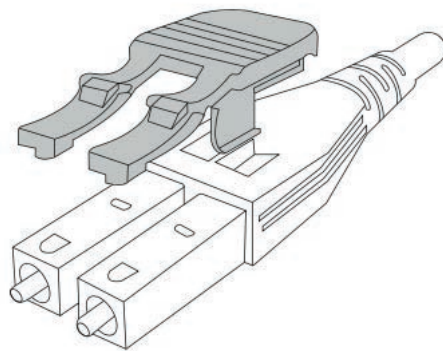
Switch the polarity A-B to A-A



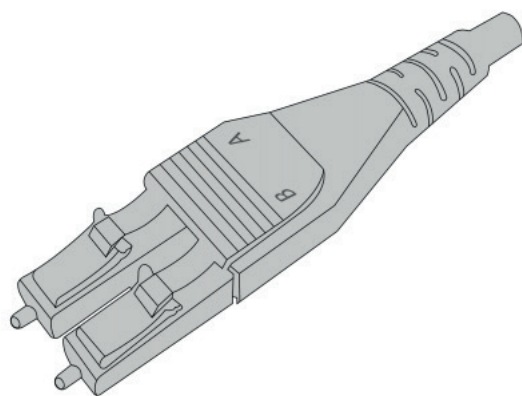
Close connector top



Rotate the connector body 180°



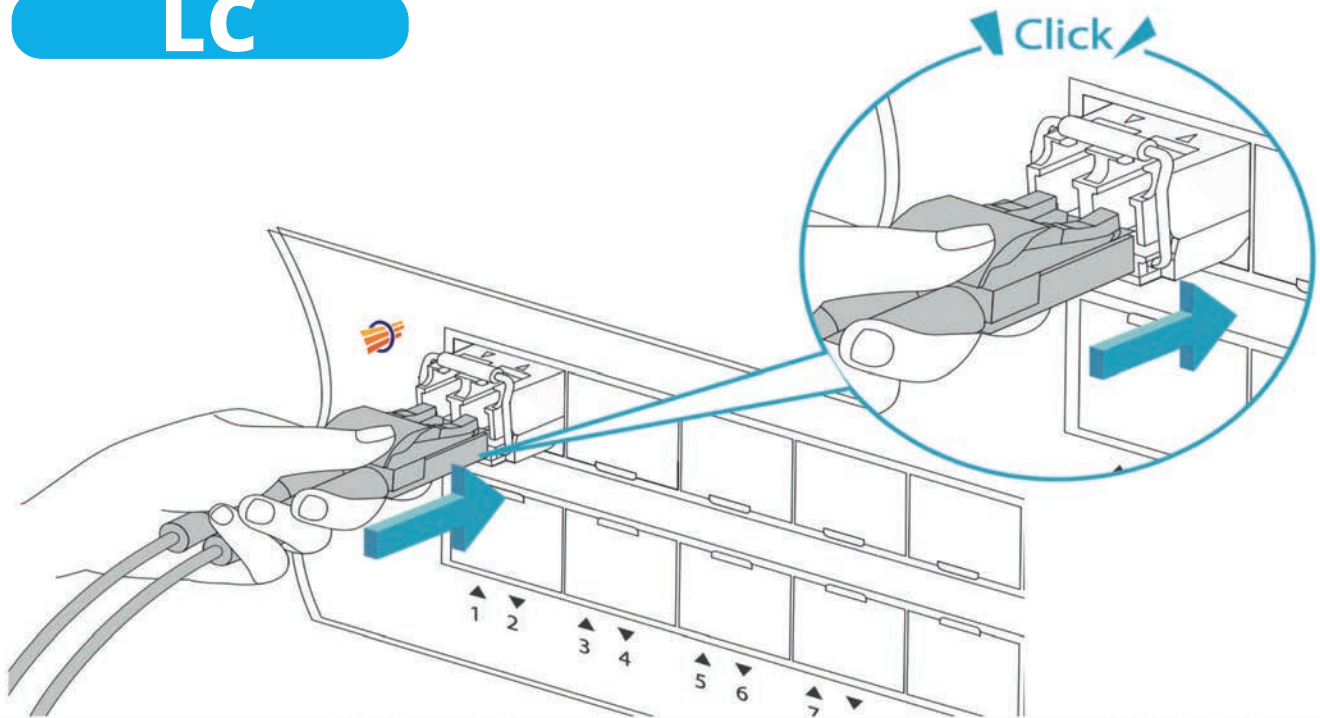
Reposition the clip



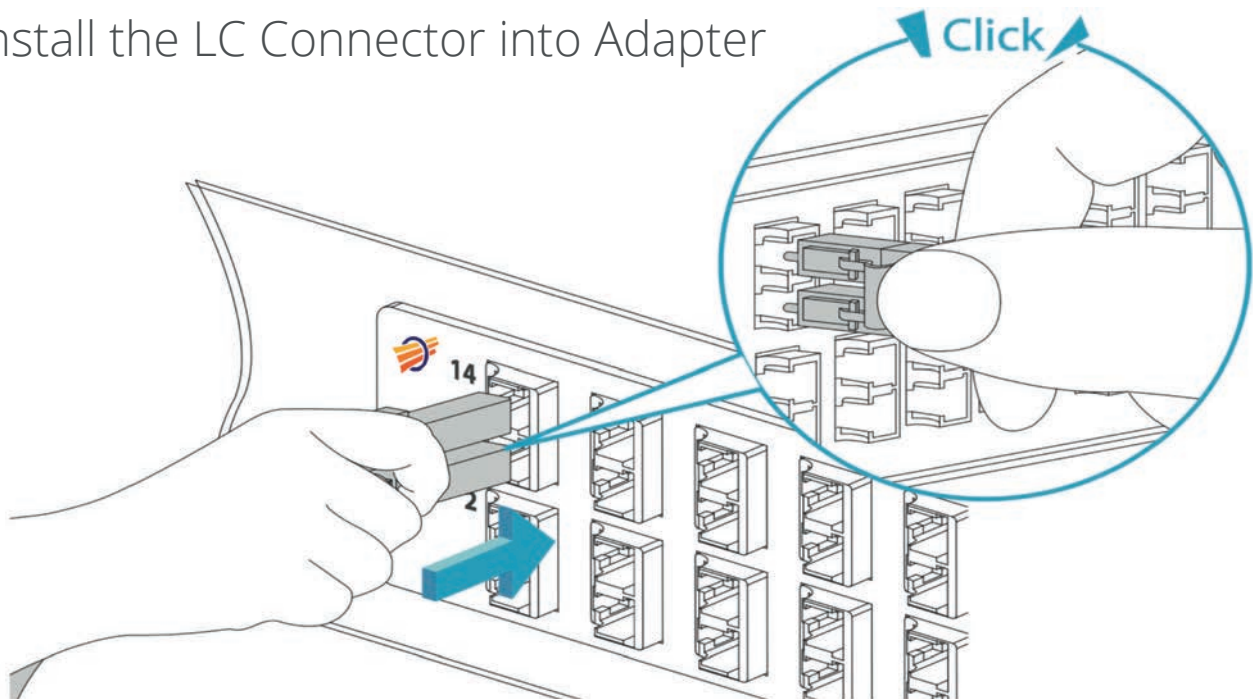
The polarity is reversed

5 Install the LC Connector into Transceiver Module

LC



Install the LC Connector into Adapter

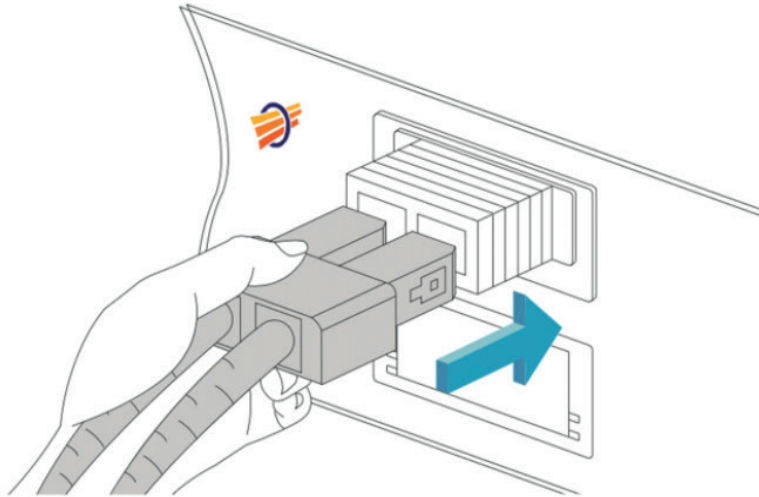


NOTE:

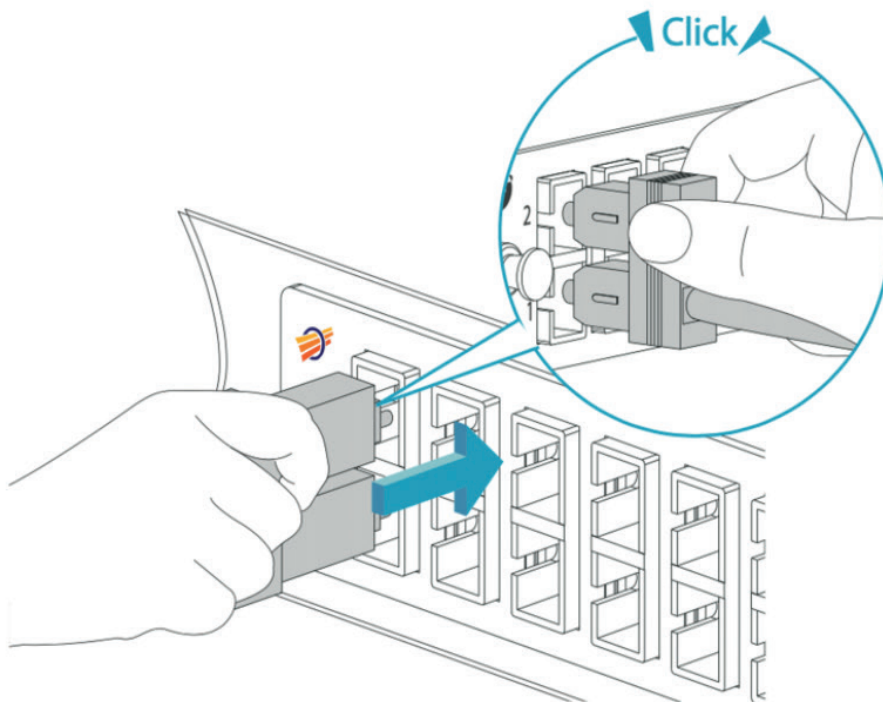
1. When installing, align the key on the connector body with the keyway on the transceiver or adapter.
2. When removing the LC connector, press the connector latch downward.

6 Install the SC Connector into Transceiver Module

SC

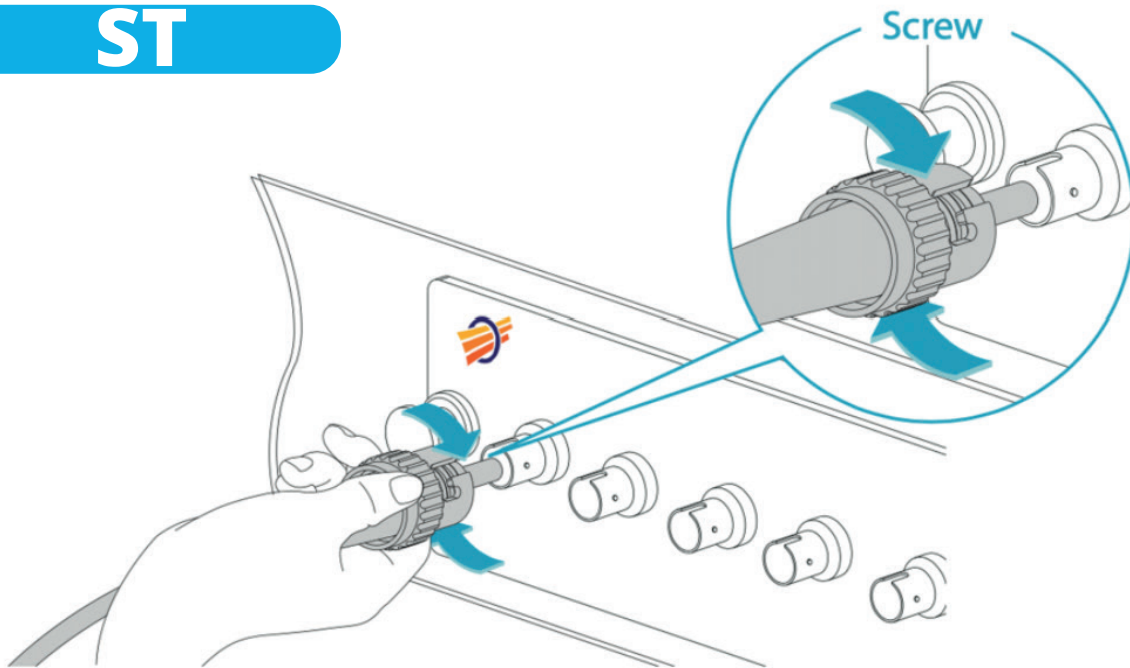


Install the SC Connector into Adapter



7 Install the ST Connector into Adapter

ST



Install the FC Connector into Adapter

FC

